

Understanding Microsoft Lync Server Deployment Options

<https://campus.barracuda.com/doc/19333288/>

Requirements

This article refers to the Barracuda Load Balancer ADC and Microsoft® Lync® Server 2010 or 2013 Enterprise Edition.

For a list of prerequisites, see [Microsoft Lync 2010 and 2013 Server Deployment](#).

In your environment, the inbound firewall must not NAT inbound traffic addressed to the Edge deployment.

Lync Server Front-End Server Deployment Options

Because the servers in a Lync Server enterprise pool communicate with each other using the VIP address of the pool, create a TCP Proxy service and associate the servers with it to facilitate this communication. The servers and the Barracuda Load Balancer ADC must be deployed using a **one-armed** topology in either a single or multiple subnet configuration.

Deploying internal Lync pools using a two-armed Route-Path topology, Direct Server Return (DSR) Mode does not work and is not supported.

Lync Edge Server Deployment Options

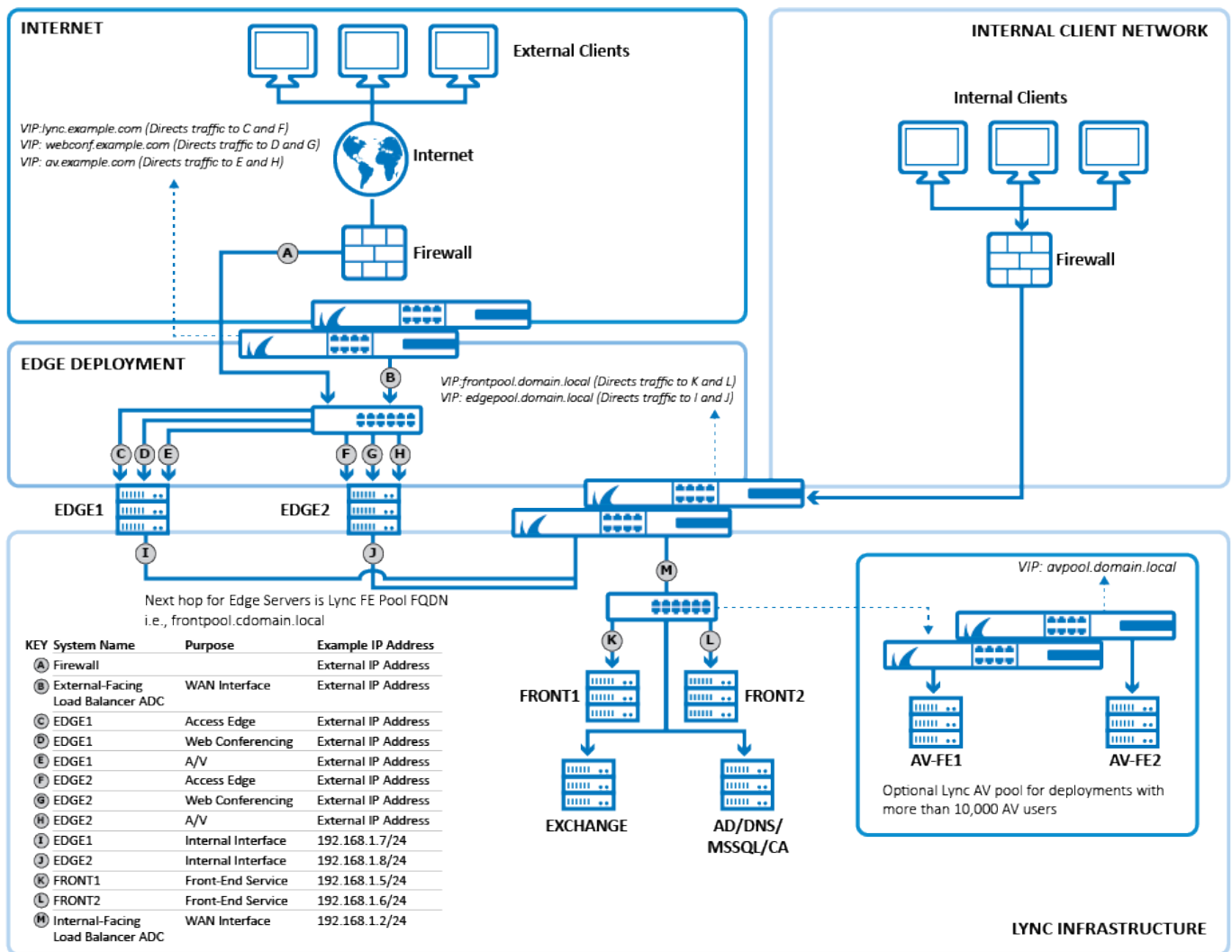
Load-balanced Edge deployments are supported using either a **one-armed** Route-Path topology using a TCP Proxy service or a **two-armed** Route-Path topology using a Layer 4 service. For maximum performance, a two-armed Route-Path topology is recommended.

Direct Server Return deployment **does not work** and *is not supported*.

Deployment Example

The following diagram shows an example Edge deployment. You can use this example as a reference in your [next step](#) of deploying the Barracuda Load Balancer ADC in your Lync Server environment.

Lync Deployment Example



Next Step

Deploy the Barracuda Load Balancer ADC in your Lync Server environment. For instructions, see [How to Deploy with Microsoft Lync Server 2010 and 2013](#).

Figures

1. lync_deploy01_new.png

© Barracuda Networks Inc., 2019 The information contained within this document is confidential and proprietary to Barracuda Networks Inc. No portion of this document may be copied, distributed, publicized or used for other than internal documentary purposes without the written consent of an official representative of Barracuda Networks Inc. All specifications are subject to change without notice. Barracuda Networks Inc. assumes no responsibility for any inaccuracies in this document. Barracuda Networks Inc. reserves the right to change, modify, transfer, or otherwise revise this publication without notice.