

## 1U 4 Bay Chassis Rack Mounting Instructions

<https://campus.barracuda.com/doc/41114643/>

The instructions in this article apply to the rack mountable 1U 4 Bay Barracuda SC813 chassis which is no longer distributed. For newer chassis, refer to [1U Chassis Rack \(Four Screw\) Mounting Instructions](#) or [1U Chassis Rack \(Two Screw\) Mounting Instructions](#).

This article refers to rack mountable 1U 4 Bay Barracuda SC813 chassis with provided rails; for a complete list of appliances by model, see [Rack Installation of Barracuda Appliances](#).

Rack assembly differs depending on the model of rack unit in your environment. Before rack mounting the appliance, review the installation instructions that accompany your rack unit for detailed rack setup instructions.

### Before Getting Started

- Verify that you have the cage nuts and screws to attach the appliance to your rack; these are not provided by Barracuda;
- Verify that you have the rail kit included with your appliance, including the hardware to assemble the rails;
- Verify the rack unit is set up in a Restricted Access Location, for example, dedicated equipment rooms, service closets, and other secure, clean, dust-free well ventilated environments;
- Allow enough clearance in front of the rack to allow the front door to open completely (~25 inches);
- Verify approximately 30 inches of clearance is available in the back of the rack to allow for sufficient airflow and ease of servicing;
- Verify the area does not generate heat, electrical noise, or electromagnetic fields;
- A grounded power outlet is available.

- Ensure the leveling jacks on the bottom of the rack are fully extended to the floor with the full weight of the rack resting on them.
- In a single rack installation, stabilizers should be attached to the rack.
- In multiple rack installations, the racks should be coupled together.
- Verify the rack is stable before extending a component from the rack.
- Extend only one component at a time; extending two or more simultaneously may cause the rack to become unstable.

Review the electrical and general safety precautions that came with the components you are adding to the chassis. Determine the placement of each component in the rack before you install the rails. Install the heaviest appliance components on the bottom of the rack first, and

then work upwards.

Use a regulating uninterruptible power supply (UPS) to protect the appliance from power surges, voltage spikes, and to keep your system operating in case of a power failure. Allow the hot plug hard drives and power supply modules to cool before touching them. Always keep the rack's front door and all panels and components on the appliances closed when not servicing to maintain proper cooling.

- **Ambient Operating Temperature** – If installed in a closed or multi-unit rack assembly, the ambient operating temperature of the rack environment may be greater than the ambient temperature of the room. Therefore, consideration should be given to installing the equipment in an environment compatible with the manufacturer's maximum rated ambient temperature (Tmra).
- **Proper Airflow and Mechanical Loading** – Mount equipment into a rack so that the amount of airflow required for safe operation is not compromised and to prevent any hazardous condition that can arise due to uneven mechanical loading.
- **Circuit Overloading** – Consideration should be given to the connection of the equipment to the power supply circuitry and the effect that any possible overloading of circuits might have on overcurrent protection and power supply wiring. Appropriate consideration of equipment nameplate ratings should be used when addressing these concerns.
- **Reliable Ground** – To ensure a reliable ground at all times, the rack itself should be grounded. Particular attention should be given to power supply connections other than the direct connections to the branch circuit (i.e. the use of power strips, etc.).

## Inspect the Packaging

---

Before getting started, inspect the shipping box and note if there is any damage. If the chassis itself shows any damage, file a damage claim with the carrier who delivered your Barracuda appliance.

## Install the Appliance in the Rack

---

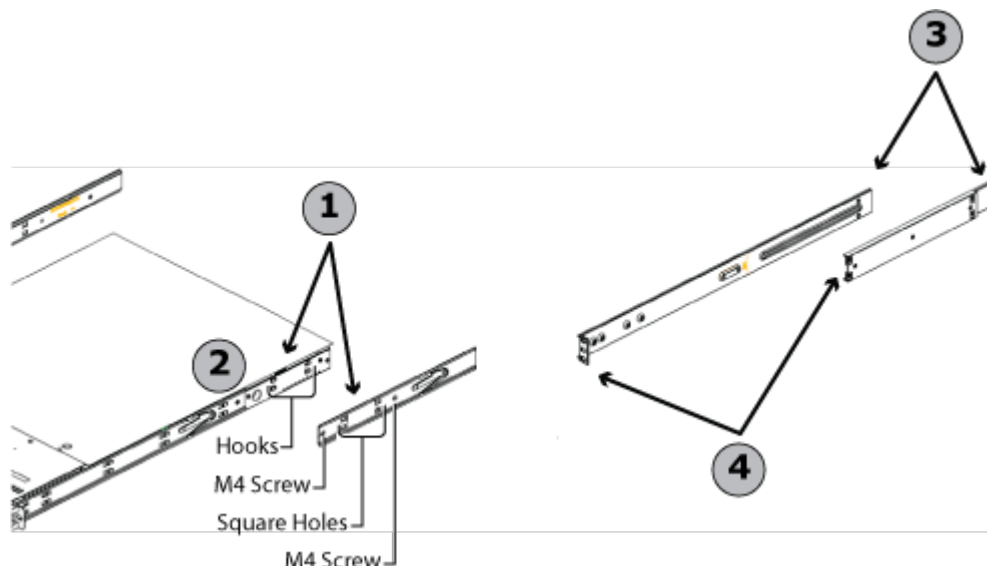
Refer to the installation instructions that came with the rack unit you are using for detailed instructions; these rails fit a rack between 26" and 33.5" deep.

### Install Inner and Outer Slides

Use the following steps to install the inner slides, as shown in Figure 1.

1. Locate the right inner slide, the slide that will be attached to the right side of the chassis when facing the front panel of the chassis, and align the four square holes on the right inner slide against the hook on the right side of the chassis slide the long bracket into the short bracket (1).
2. Securely attach the slide to the chassis with two M4 flat head screws (2).
3. Repeat steps 1 and 2 to install the left inner slide to the left side of the chassis.
4. Measure the distance from the front rack rail to the rear rail of the rack.
5. Attach a short bracket to the rear side of the right outer slide, and a long bracket to the front side of the right outer slide (3).
6. Adjust the short and long brackets to the proper distance so that the chassis will fit snugly into the rack (4).
7. Secure the slides to the rack with the provided screws.
8. Repeat steps 4 through 7 for the left outer slide.

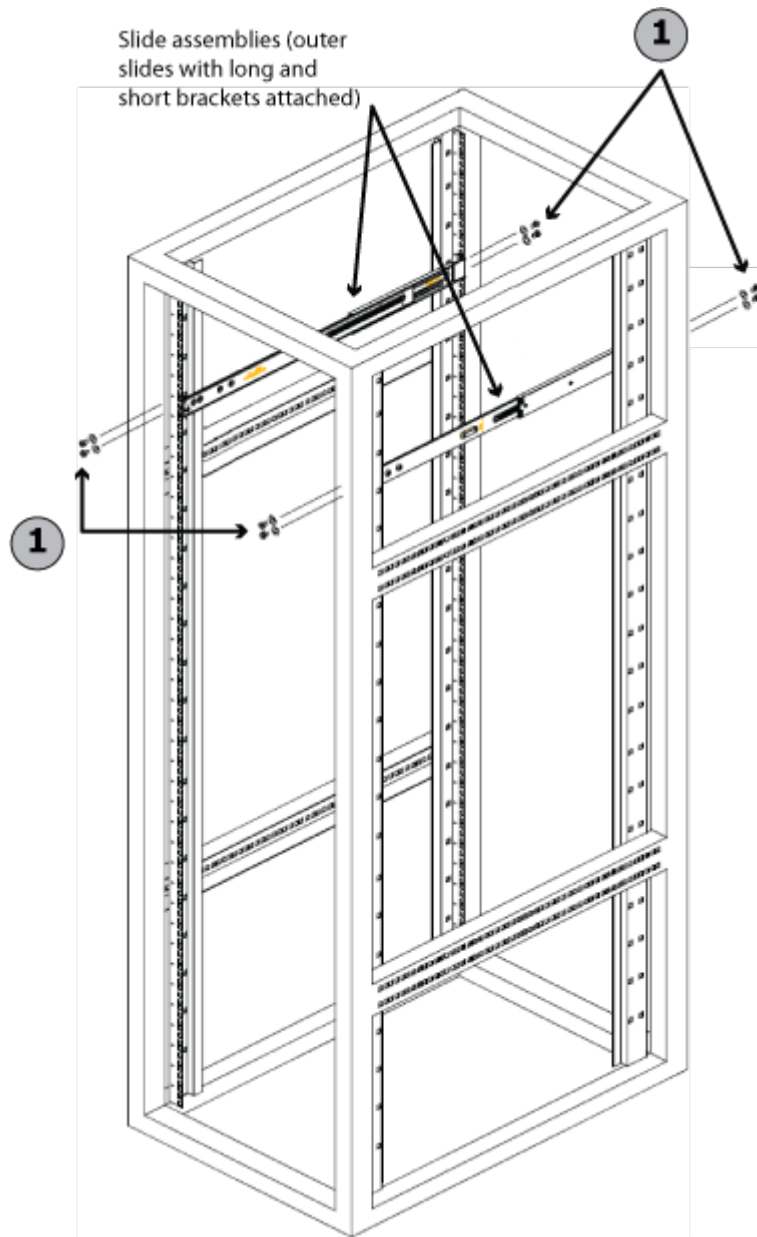
**Figure 1. Install Inner and Outer Rack Rail Sections.**



### Install Slide Assemblies

Secure the slide assemblies to the rack using four M5 screws and washers (1), as shown in Figure 2:

**Figure 2. Install Slide Assemblies.**

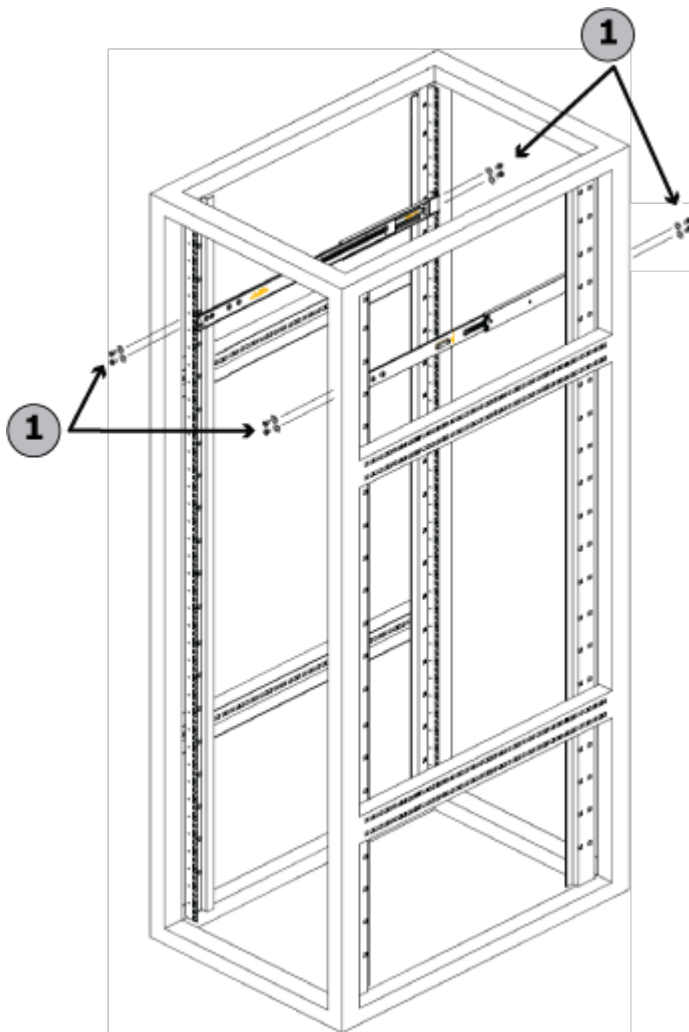


### Install Chassis into the Rack

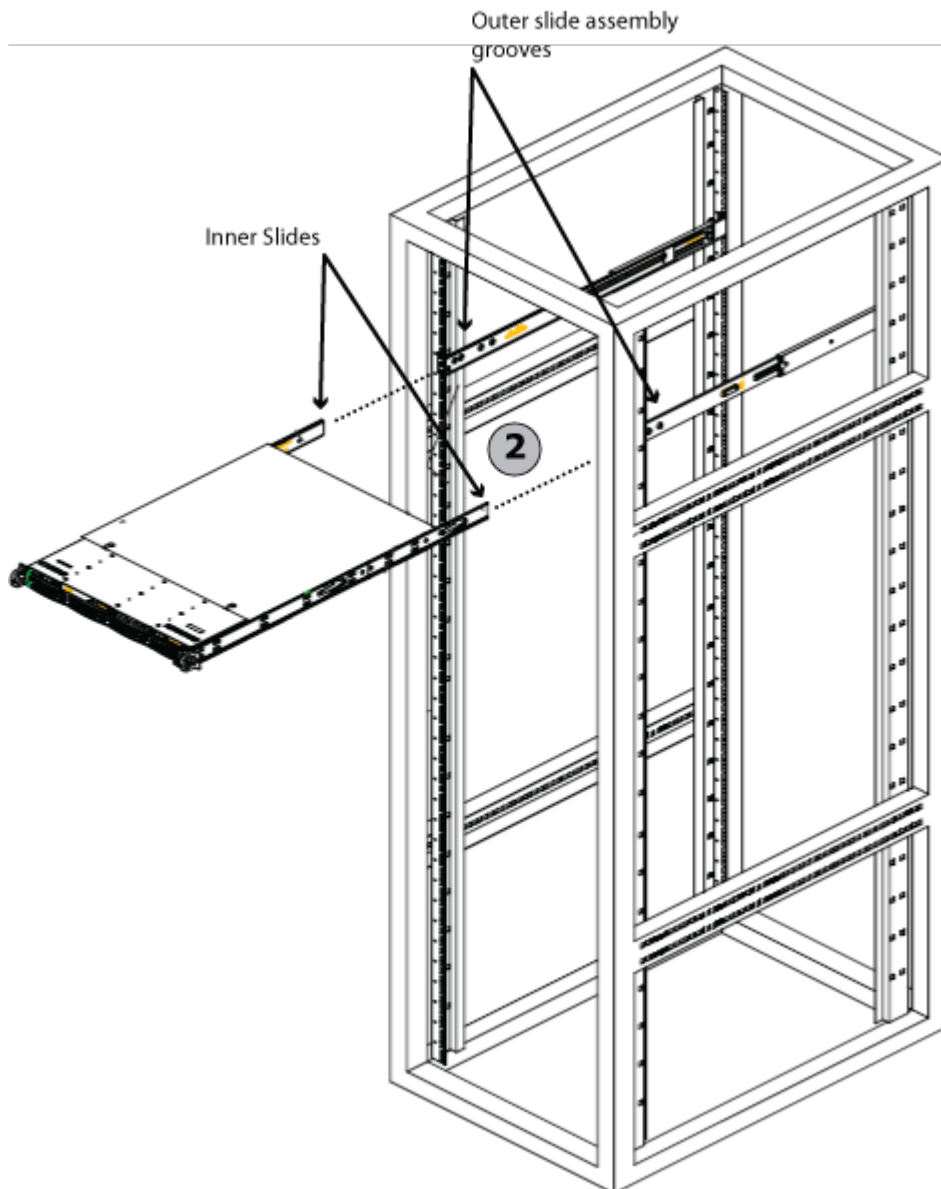
Use the following steps to install the chassis into the rack.

1. Push the inner slides, which are attached to the chassis, into the grooves of the outer slide assemblies (1), as shown in Figure 3.

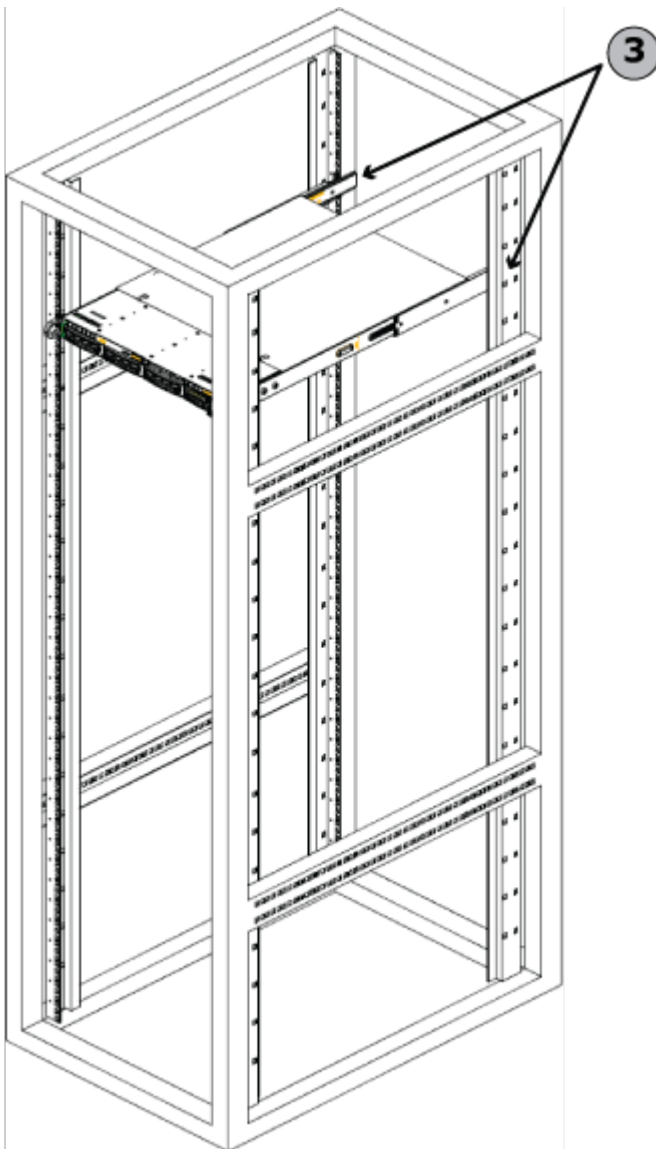
#### **Figure 3. Install the Chassis into the Rack.**



2. Push the chassis into the outer slide assemblies (2), as shown in Figure 4:  
**Figure 4. Insert Chassis into Rack.**



3. Push the chassis all the way to the back of the outer slide assemblies (3), as shown in Figure 5:  
**Figure 5. Push the Chassis to the Back of the Outer Slide Assemblies.**

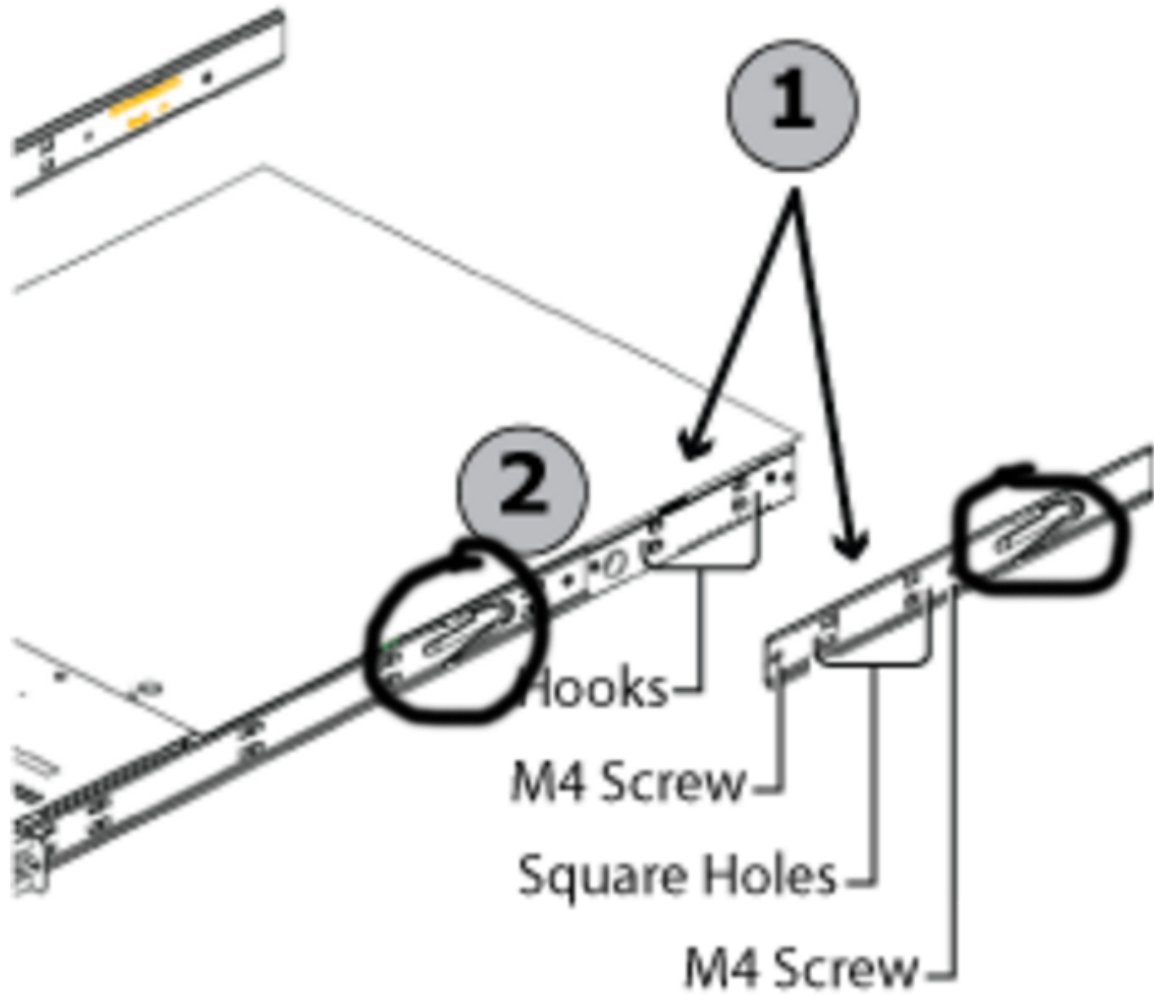


For detailed configuration steps, refer to the Getting Started section for the rack mounted appliance.

### Remove the chassis from the rack

In Figure 6 below, the locking clips on the rails are circled. In Figure 7, see the locking clips on the two far left rails. These clips must be released when removing the server.

**Figure 6. Locking clips.**



**Figure 7. Black locking clips shown on rails on left of photo.**





## Figures

1. 1U4BayInnerSlides.png
2. 1U4BayOuterSlides.png
3. 1U4BaySlideAssemblies.png
4. 1U4BayInsertChassis.png
5. 1U4BayChassisInstalled.png
6. RemoveChassis1.png
7. RemoveChassis2.png

© Barracuda Networks Inc., 2019 The information contained within this document is confidential and proprietary to Barracuda Networks Inc. No portion of this document may be copied, distributed, publicized or used for other than internal documentary purposes without the written consent of an official representative of Barracuda Networks Inc. All specifications are subject to change without notice. Barracuda Networks Inc. assumes no responsibility for any inaccuracies in this document. Barracuda Networks Inc. reserves the right to change, modify, transfer, or otherwise revise this publication without notice.