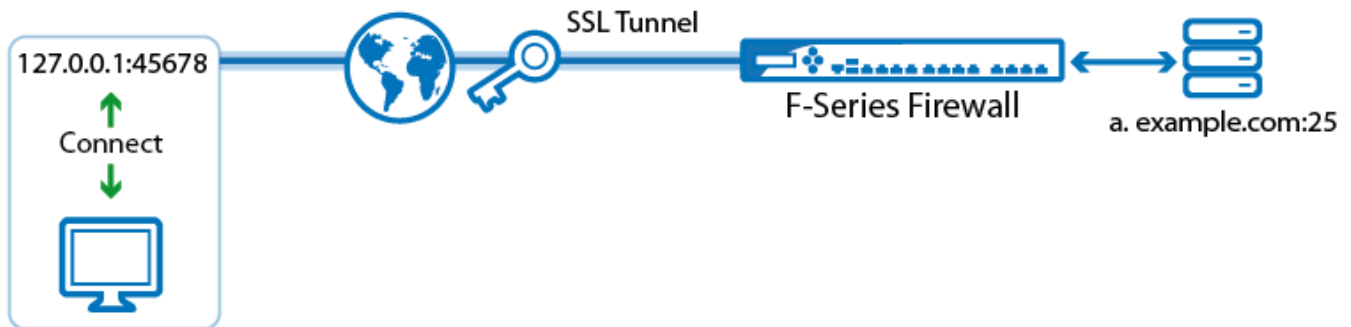


SSL VPN Generic Tunnels

<https://campus.barracuda.com/doc/49055076/>

Generic tunnels are used to tunnel TCP connections for client/server applications protected by your F-Series Firewall. The tunnel is created by CudaLaunch and terminated at the SSL VPN service. The user connects to a port on the 127.0.0.1 interface, instead of directly to the remote resource as in a VPN. CudaLaunch accepts the local connection and forwards the traffic through the SSL tunnel. The SSL VPN service forwards the traffic to the destination IP address and port defined in the tunnel configuration. Traffic from the firewall to the destination IP in the network does not have to be encrypted. Active tunnels are automatically terminated when the session is closed or timed out.



Configuring generic tunnels

Configure a generic tunnel resource containing one or more SSL tunnels that forward the TCP traffic of the remote service. Access to tunnel resources can be limited via the user groups.

For more information, see [How to Configure Generic Tunnels](#).

Figures

1. generic_ssl_tunnel.png

© Barracuda Networks Inc., 2019 The information contained within this document is confidential and proprietary to Barracuda Networks Inc. No portion of this document may be copied, distributed, publicized or used for other than internal documentary purposes without the written consent of an official representative of Barracuda Networks Inc. All specifications are subject to change without notice. Barracuda Networks Inc. assumes no responsibility for any inaccuracies in this document. Barracuda Networks Inc. reserves the right to change, modify, transfer, or otherwise revise this publication without notice.