

1U Chassis Rack (Four Screw) Mounting Instructions

<https://campus.barracuda.com/doc/41114641/>

This article refers to rack mountable 1U mini Barracuda appliances; for a complete list of appliances by model, see [Rack Installation of Barracuda Appliances](#).

Rack assembly differs depending on the model of rack unit in your environment. Before rack mounting the appliance, review the installation instructions that accompany your rack unit for detailed rack setup instructions.

Before Getting Started

- Verify that you have the four mounting screws included with your appliance; these are required for mounting the chassis into the rack;
- Verify the rack unit is set up in a Restricted Access Location, for example, dedicated equipment rooms, service closets, and other secure, clean, dust-free well ventilated environments;
- Verify approximately 30 inches of clearance is available in the back of the rack to allow for sufficient airflow and ease of servicing;
- Verify the area does not generate heat, electrical noise, or electromagnetic fields;
- A grounded power outlet is available.

- Ensure the leveling jacks on the bottom of the rack are fully extended to the floor with the full weight of the rack resting on them.
- In a single rack installation, stabilizers should be attached to the rack.
- In multiple rack installations, the racks should be coupled together.
- Verify the rack is stable before extending a component from the rack.
- Extend only one component at a time; extending two or more simultaneously may cause the rack to become unstable.

Review the electrical and general safety precautions that came with the components you are adding to the chassis. Determine the placement of each component in the rack before you install the rails. Install the heaviest appliance components on the bottom of the rack first, and then work upwards.

Use a regulating uninterruptible power supply (UPS) to protect the appliance from power surges, voltage spikes, and to keep your system operating in case of a power failure. Allow the hot plug hard drives and power supply modules to cool before touching them. Always keep the rack's front door and all panels and components on the appliances closed when not servicing to maintain proper cooling.

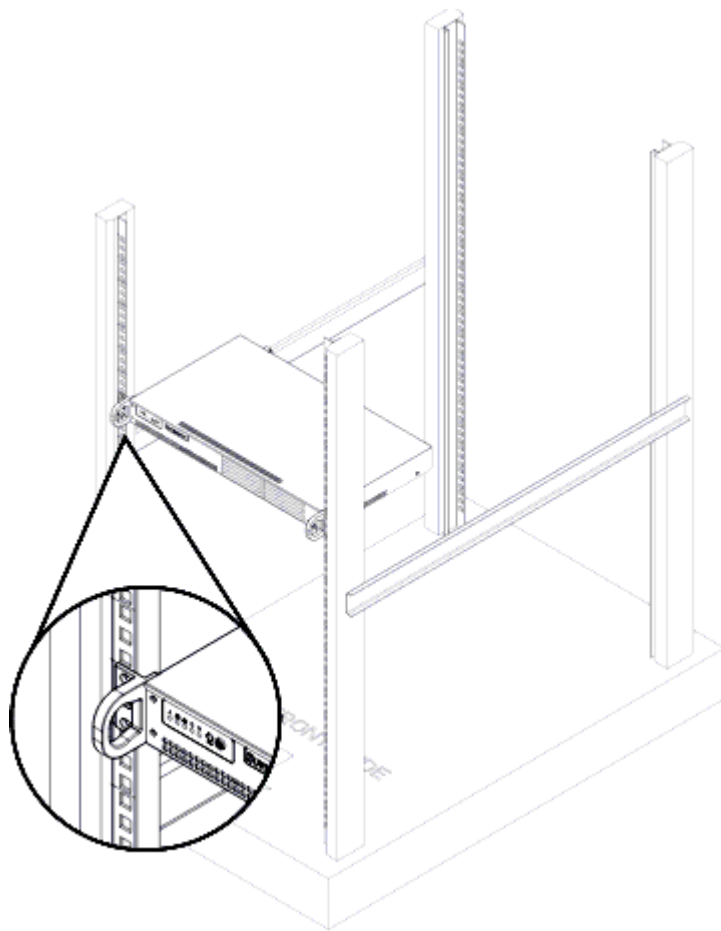
- **Ambient Operating Temperature** – If installed in a closed or multi-unit rack assembly, the ambient operating temperature of the rack environment may be greater than the ambient temperature of the room. Therefore, consideration should be given to installing the equipment in an environment compatible with the manufacturer's maximum rated ambient temperature (T_{mra}).
- **Proper Airflow and Mechanical Loading** – Mount equipment into a rack so that the amount of airflow required for safe operation is not compromised and to prevent any hazardous condition that can arise due to uneven mechanical loading.
- **Circuit Overloading** – Consideration should be given to the connection of the equipment to the power supply circuitry and the effect that any possible overloading of circuits might have on overcurrent protection and power supply wiring. Appropriate consideration of equipment nameplate ratings should be used when addressing these concerns.
- **Reliable Ground** – To ensure a reliable ground at all times, the rack itself should be grounded. Particular attention should be given to power supply connections other than the direct connections to the branch circuit (i.e. the use of power strips, etc.).

Inspect the Packaging

Before getting started, inspect the shipping box and note if there is any damage. If the chassis itself shows any damage, file a damage claim with the carrier who delivered your Barracuda appliance.

Install the Barracuda Backup Appliance into the Rack

1. Slide the Barracuda chassis into the rack.
2. Align the through holes of the chassis with the through holes of the rack.
3. Insert the mounting screws into the thru holes in the front of the chassis and through the thru holes in the rack:



For detailed configuration steps, refer to the Getting Started section for the rack mounted appliance.

Figures

1. 1Uchassis_install.png

© Barracuda Networks Inc., 2020 The information contained within this document is confidential and proprietary to Barracuda Networks Inc. No portion of this document may be copied, distributed, publicized or used for other than internal documentary purposes without the written consent of an official representative of Barracuda Networks Inc. All specifications are subject to change without notice. Barracuda Networks Inc. assumes no responsibility for any inaccuracies in this document. Barracuda Networks Inc. reserves the right to change, modify, transfer, or otherwise revise this publication without notice.