

2U-4U Multi-Bay Chassis Rack Mounting Instructions

<https://campus.barracuda.com/doc/41114818/>

This article refers to rack mountable 2U, 3U, and 4U multi-bay Barracuda SC829 chassis with provided rails that fit a rack between 27" and 33.5" deep; for a complete list of appliances by model, see [Rack Installation of Barracuda Appliances](#).

Rack assembly differs depending on the model of rack unit in your environment. Before rack mounting the appliance, review the installation instructions that accompany your rack unit for detailed rack setup instructions.

Before Getting Started

- Verify that you have the cage nuts and screws to attach the appliance to the rack; these are not provided by Barracuda;
- Verify that you have the rail kit included with your appliance including the hardware to assemble the rails;
- Verify the rack unit is set up in a Restricted Access Location, for example, dedicated equipment rooms, service closets, and other secure, clean, dust-free well ventilated environments;
- Allow enough clearance in front of the rack to allow the front door to open completely (~25 inches);
- Verify approximately 30 inches of clearance is available in the back of the rack to allow for sufficient airflow and ease of servicing;
- Verify the area does not generate heat, electrical noise, or electromagnetic fields;
- A grounded power outlet is available.

- Ensure the leveling jacks on the bottom of the rack are fully extended to the floor with the full weight of the rack resting on them.
- In a single rack installation, stabilizers should be attached to the rack.
- In multiple rack installations, the racks should be coupled together.
- Verify the rack is stable before extending a component from the rack.
 - Extend only one component at a time; extending two or more simultaneously may cause the rack to become unstable.

Review the electrical and general safety precautions that came with the components you are adding to the chassis. Determine the placement of each component in the rack before you install the rails. Install the heaviest appliance components on the bottom of the rack first, and then work upwards.

Use a regulating uninterruptible power supply (UPS) to protect the appliance from power surges, voltage spikes, and to keep your system operating in case of a power failure. Allow the

hot plug hard drives and power supply modules to cool before touching them. Always keep the rack's front door and all panels and components on the appliances closed when not servicing to maintain proper cooling.

- **Ambient Operating Temperature** – If installed in a closed or multi-unit rack assembly, the ambient operating temperature of the rack environment may be greater than the ambient temperature of the room. Therefore, consideration should be given to installing the equipment in an environment compatible with the manufacturer's maximum rated ambient temperature (T_{mra}).
- **Proper Airflow and Mechanical Loading** – Mount equipment into a rack so that the amount of airflow required for safe operation is not compromised and to prevent any hazardous condition that can arise due to uneven mechanical loading.
- **Circuit Overloading** – Consideration should be given to the connection of the equipment to the power supply circuitry and the effect that any possible overloading of circuits might have on overcurrent protection and power supply wiring. Appropriate consideration of equipment nameplate ratings should be used when addressing these concerns.
- **Reliable Ground** – To ensure a reliable ground at all times, the rack itself should be grounded. Particular attention should be given to power supply connections other than the direct connections to the branch circuit (i.e. the use of power strips, etc.).

Inspect the Packaging

Before getting started, inspect the shipping box and note if there is any damage. If the chassis itself shows any damage, file a damage claim with the carrier who delivered your Barracuda Networks appliance.

Install the Appliance in the Rack

Refer to the installation instructions that came with the rack unit you are using for detailed instructions; these rails fit a rack between 27" and 33.5" deep.

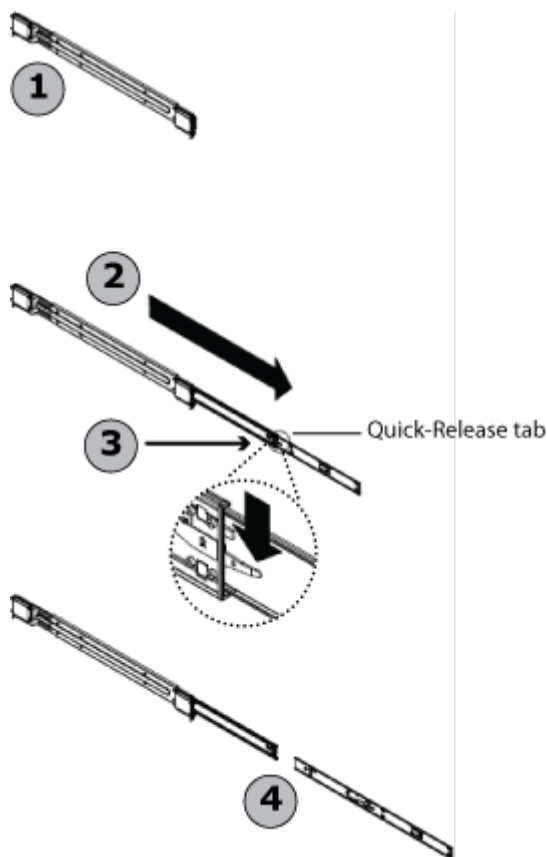
Separate the Rack Rail Sections

The chassis package includes two rack rail assemblies in the rack mounting kit. Each assembly consists of two sections: an inner fixed chassis rail that secures directly to the appliance chassis, and an outer fixed rack rail that secures directly to the rack itself.

Use the following steps to separate the rack rail sections, as shown in Figure 1:

1. Locate the rail assembly in the chassis packaging (1).
2. Extend the rail assembly by pulling it outward (2).
3. Press the quick-release tab (3).
4. Separate the inner rail extension from the outer rail assembly (4).

Figure 1. Separating the Inner and Outer Rails.

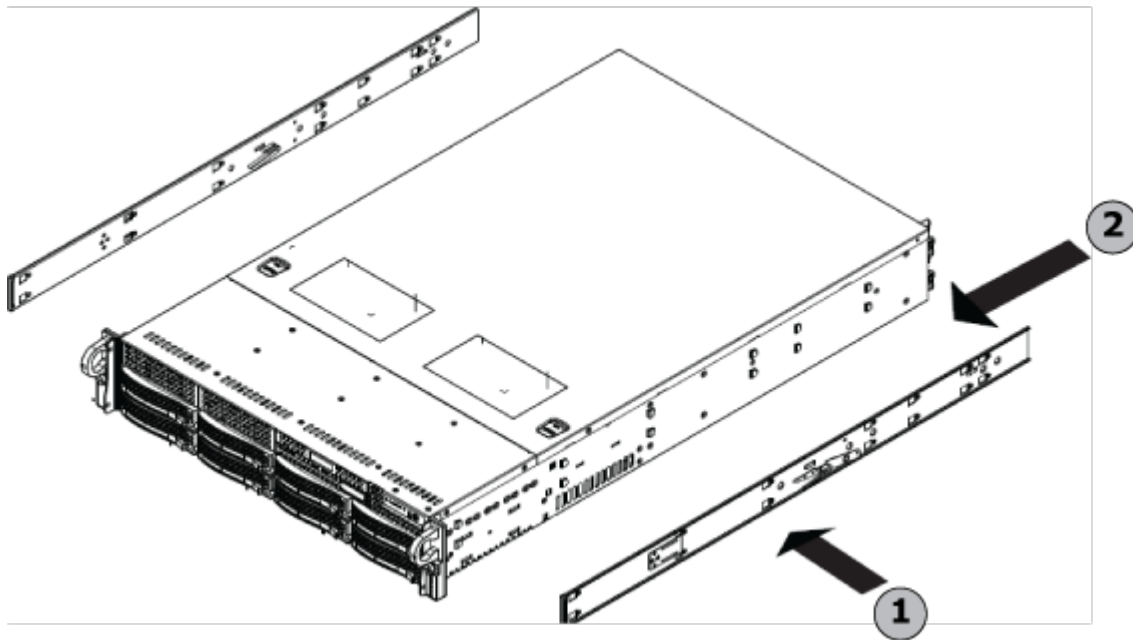


Install the Inner Rail Extensions

Both chassis rails have a locking tab. The tabs lock the appliance into place when it is installed and pushed fully into the rack. These tabs also lock the appliance into place when fully extended from the rack so as to prevent the appliance from coming completely out of the rack when pulled out for servicing.

1. Place the inner rack extension (1) on the side of the chassis (2), aligning the chassis hooks with the rail extension holes. Verify that the extension faces outward like the pre-attached inner rail.
2. Slide the extension toward the chassis front, and then secure with the provided screws.

Figure 2. Install Inner Rail Extensions.

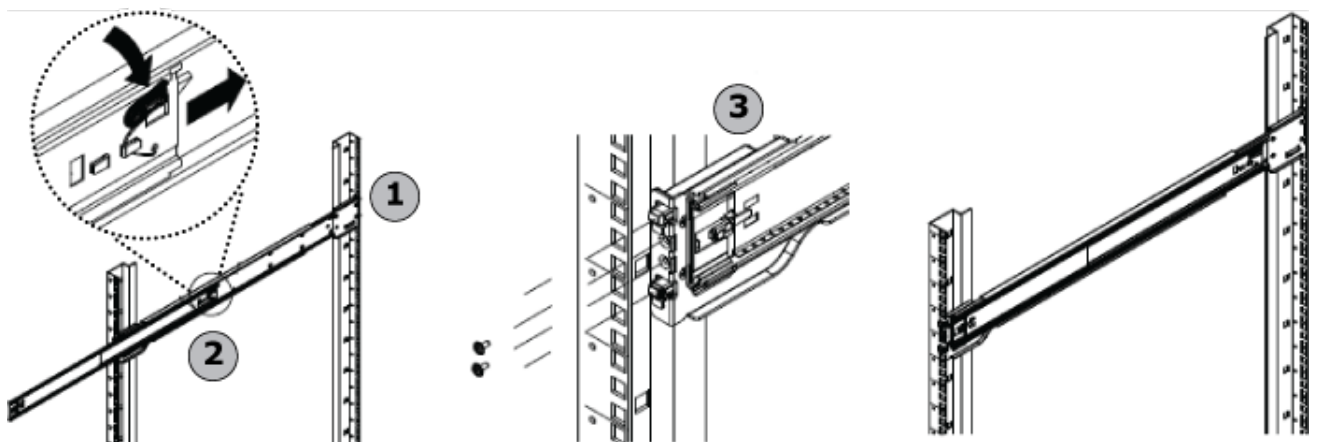


Assemble the Outer Rack Rails

Outer rails attach to the rack, holding the chassis in place. The outer rails for the SC829 chassis extend between 30"-33".

1. Using the provided screws, secure the back end of the outer rail to the rack (1).
2. Press the button where the two outer rails are joined to retract the smaller outer rail (2).
3. Hang the hooks of the rails onto the rack holes (3), and secure the front of the outer rail to the rack.
4. Repeats steps 1-3 for the remaining outer rail.

Figure 3. Assemble Outer Rack Rails.

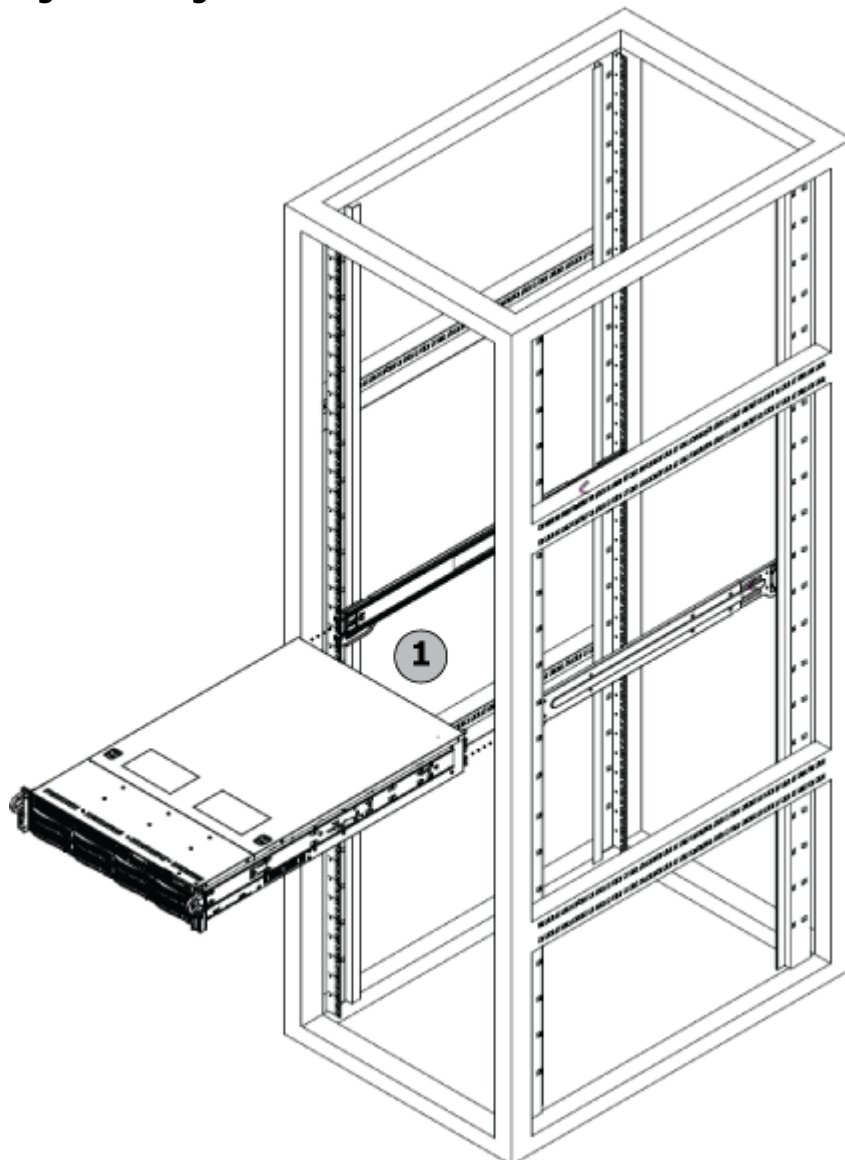


Install the Chassis in the Rack

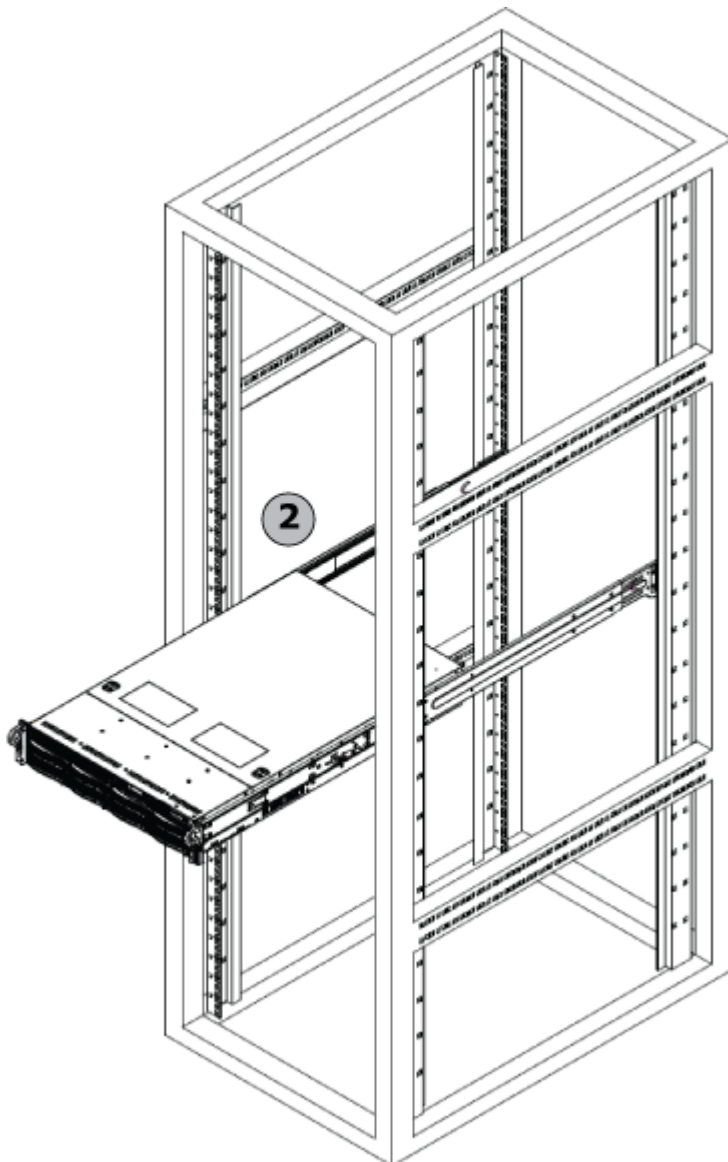
Attach the outer rack rails and install the chassis into the rack using the following steps:

1. Extend the outer rails, and align the inner rails of the chassis with the outer rails of the rack.
2. Align the inner rails of the chassis with the outer rails on the rack (1), as shown in Figure 4:

Figure 4. Align Chassis Inner Rails with Rack Outer Rails.



3. Keeping the pressure even on both sides of the rails, slide the inner rails into the outer rails (2), as shown in Figure 5:



4. Push the chassis all the way to the back of the rail, until it "clicks" into place.
5. Secure with the provided screws.

For detailed configuration steps, refer to the Getting Started section of this TechLibrary for the rack mounted appliance.

Figures

1. 2U_separate_rail_assembly.png
2. install_inner_rail_extensions.png
3. 2U_assemble_outer_rails.png
4. 2U_insert_chassis.png
5. 2U_attach_chassis.png

© Barracuda Networks Inc., 2022 The information contained within this document is confidential and proprietary to Barracuda Networks Inc. No portion of this document may be copied, distributed, publicized or used for other than internal documentary purposes without the written consent of an official representative of Barracuda Networks Inc. All specifications are subject to change without notice. Barracuda Networks Inc. assumes no responsibility for any inaccuracies in this document. Barracuda Networks Inc. reserves the right to change, modify, transfer, or otherwise revise this publication without notice.