

Control Center Syslog Service

<https://campus.barracuda.com/doc/48202939/>

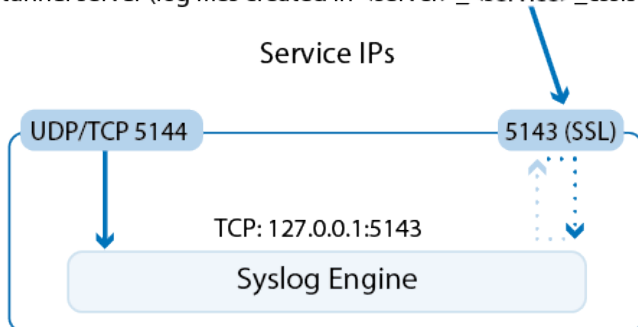
The CC Syslog service collects log messages from NextGen F-Series Firewalls that are managed by the Barracuda NextGen Control Center and streams those log messages to an external log host or sends them to the HA partner. Syslog streaming consists of three major steps:

- [Log Reception](#)
- [Log Processing](#)
- [Log Delivery](#)

Log Reception

Log reception via port 5144 and/or 5143:

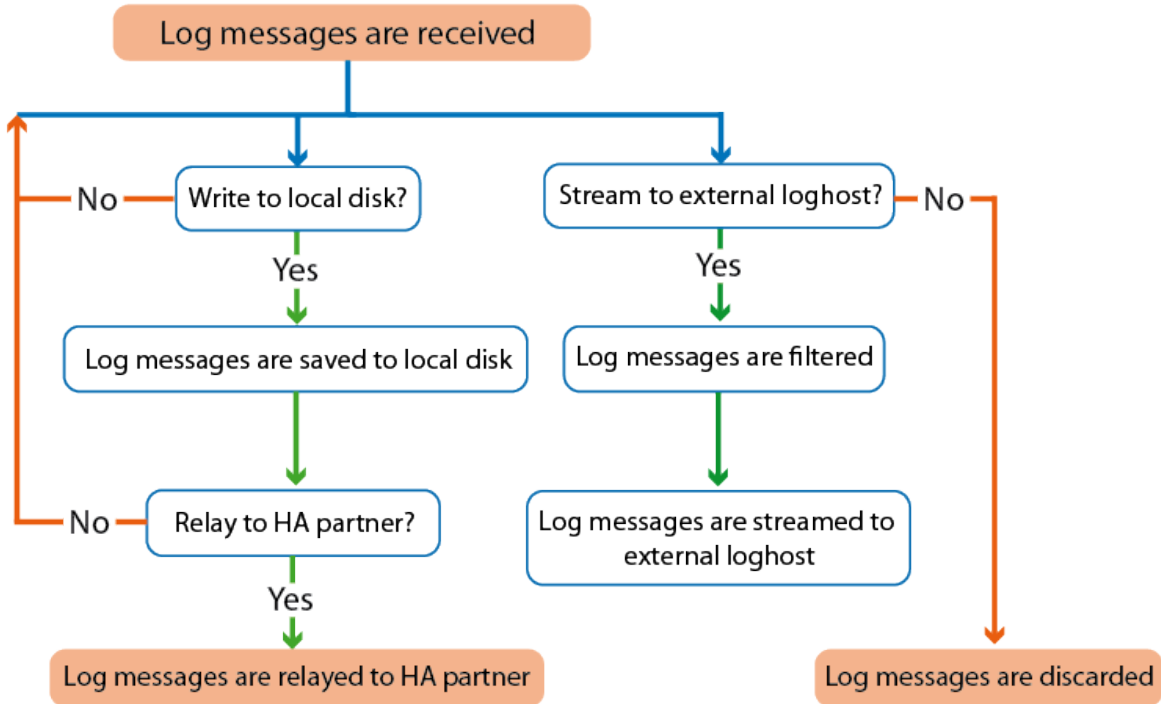
stunnel server (log files created in <server>_<service>_csslsrv)



SSL-encrypted connections on port 5143 are used for log reception of managed boxes that do not use management tunnels. Using SSL allows for both encryption and authentication.

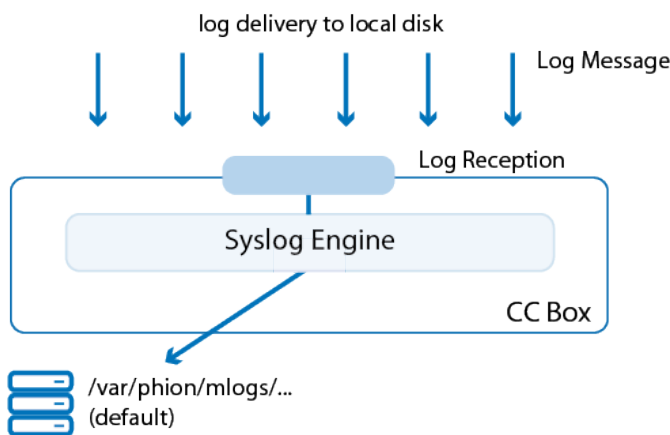
Managed firewalls using a remote management tunnel connect to the syslog engine on port 5144. These connections are unencrypted and unauthenticated, so the default firewall rules restrict access managed boxes and access via VPN tunnel.

Log Processing



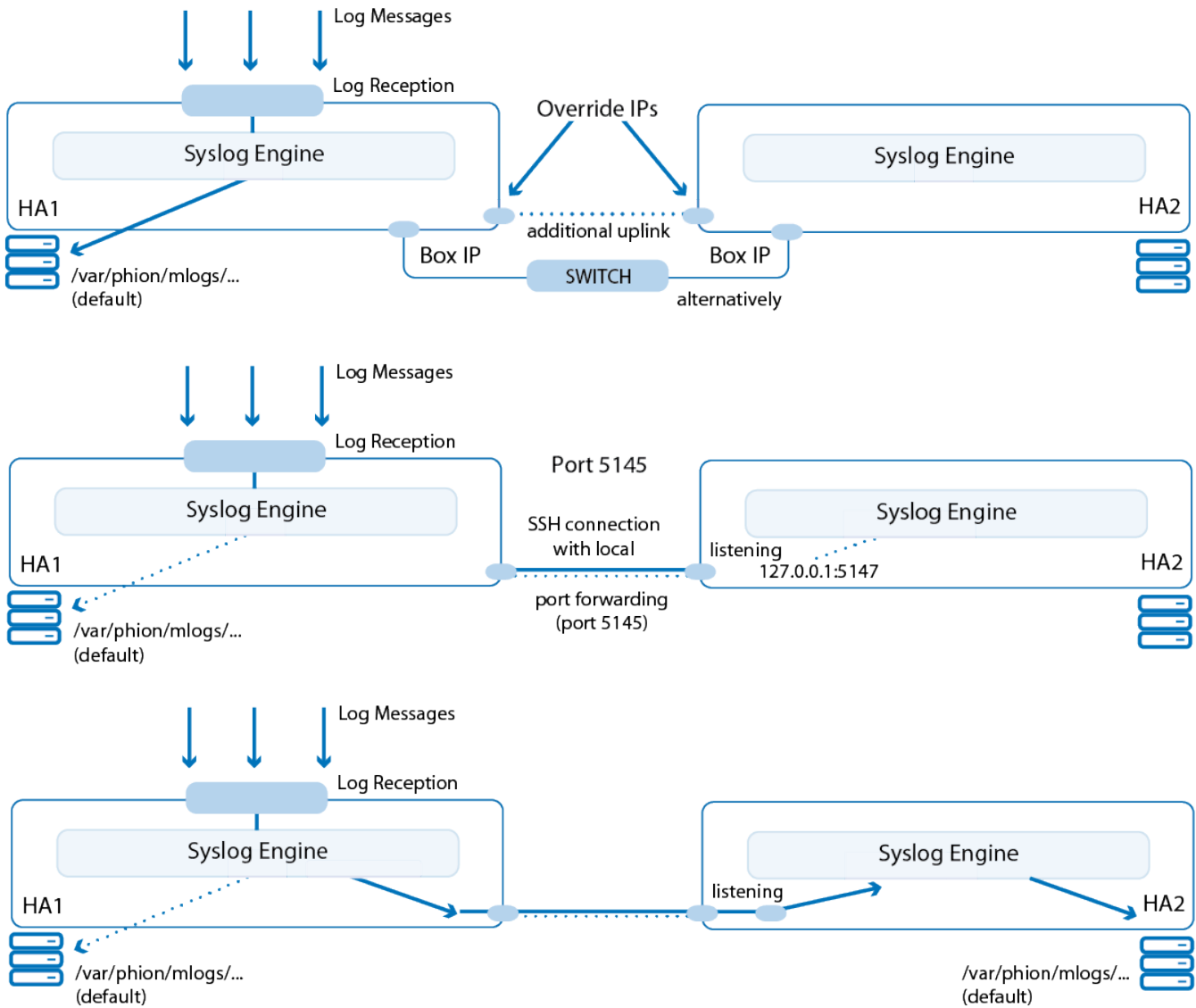
Log Delivery

Log Delivery to Local Disk



Log Delivery via Private Uplink (HA Sync)

Using override IP addresses is mandatory in this scenario:

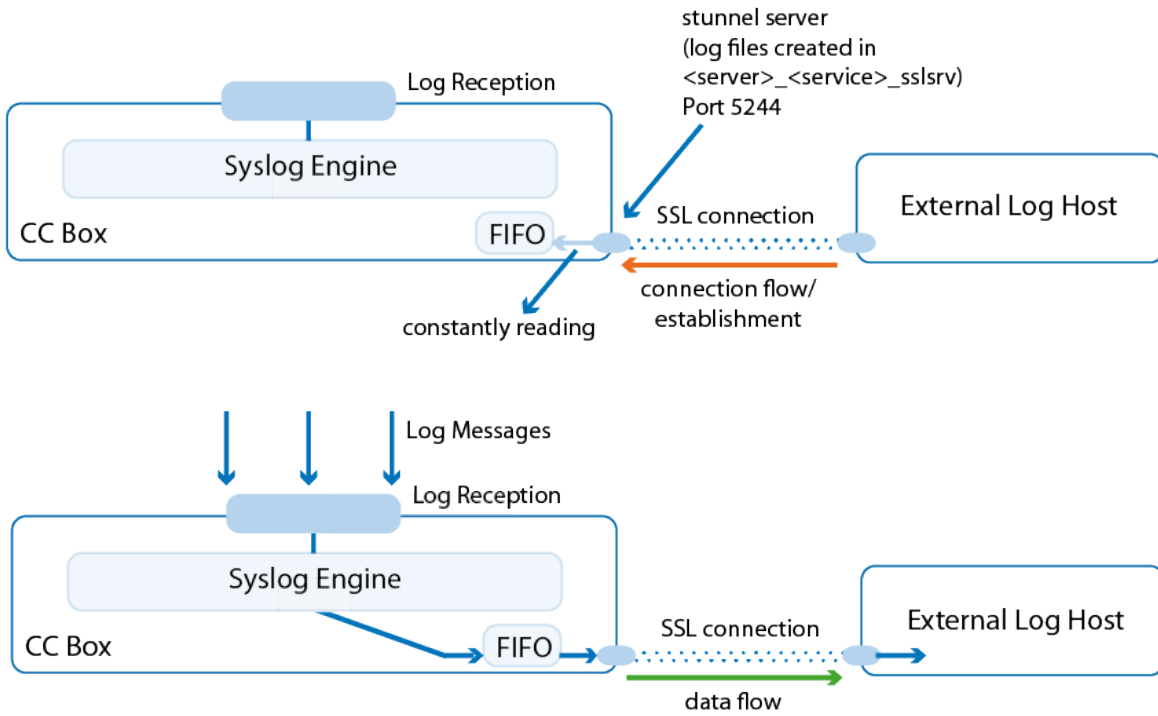


Log Delivery by Relaying

The F-Series supports active querying and passive receiving via SSL-encrypted connection or passive receiving without encryption.

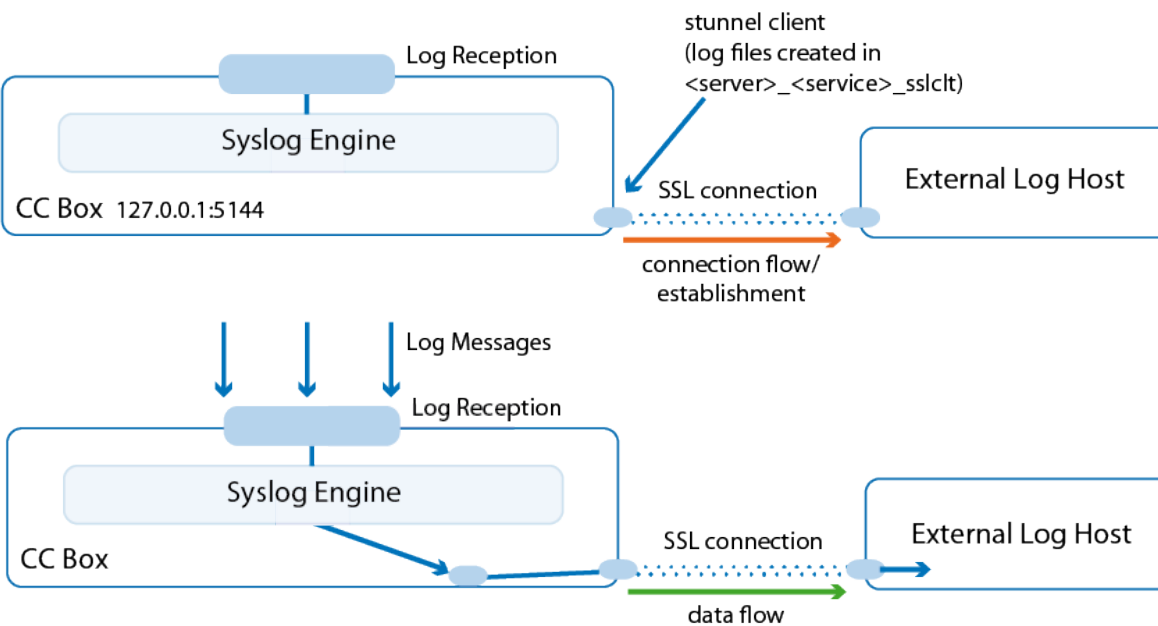
Active SSL querying

If read access is not possible (for example, because log host is down), transferring log messages is not possible. This method of transferring is not recommended for use in an HA Control Center cluster.



SSL passive receiving

Used for an HA Control Center cluster because the external log host does not need to know which partner is currently active for syslog streaming to work.



Plain passive

You can also do standard syslog streaming without an SSL connection if needed.

Figures

1. cc_syslog_01.png
2. cc_syslog_02.png
3. cc_syslog_03.png
4. cc_syslog_04.png
5. cc_syslog_05.png
6. cc_syslog_06.png

© Barracuda Networks Inc., 2019 The information contained within this document is confidential and proprietary to Barracuda Networks Inc. No portion of this document may be copied, distributed, publicized or used for other than internal documentary purposes without the written consent of an official representative of Barracuda Networks Inc. All specifications are subject to change without notice. Barracuda Networks Inc. assumes no responsibility for any inaccuracies in this document. Barracuda Networks Inc. reserves the right to change, modify, transfer, or otherwise revise this publication without notice.