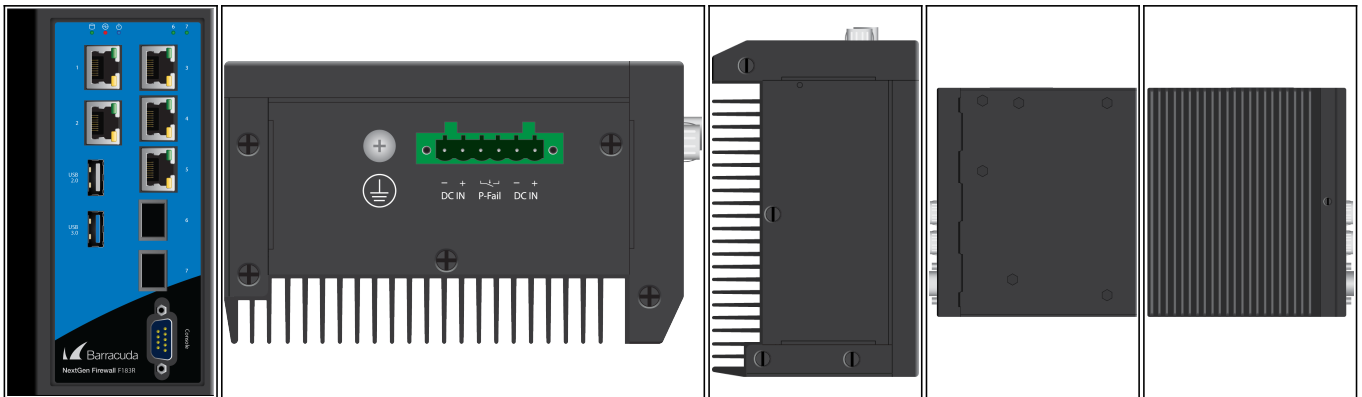


F183R (Rugged)

<https://campus.barracuda.com/doc/73008380/>

CloudGen Firewall F183R



Warranty and Safety Instructions

Opening your Barracuda Networks appliance or removing its warranty label will void your warranty and hardware support.

[Barracuda Networks Appliance Safety Instructions](#)

Power supply is not included in packaging and needs to be ordered separately (BNGPSUR1a/BNGIPSUR1a).

To prevent damage, connect the DC plug to the appliance before plugging the power adapter into the AC outlet.

Default Port Configuration

Port Label	OS Notation	Speed/Type	Management Port
1	p1	10/100/1000 MBit RJ45	X
2	p2	10/100/1000 MBit RJ45	
3	p3	10/100/1000 MBit RJ45	
4	p4	10/100/1000 MBit RJ45	
5	p5	10/100/1000 MBit RJ45	
6	p6	1 GbE Optical Fiber SFP	
7	p7	1 GbE Optical Fiber SFP	

The CloudGen Firewall hardware appliances ship with a [Quick Start Guide](#). Follow this guide to connect to your firewall. To protect your network, follow the instructions for the standard deployment.

Hardware Specifications

Interface	
Model F183R	5 x 1 GbE RJ45 2 x 1 GbE SFP Optical Fiber
USB 2.0	1
USB 3.0	1
Serial console	1x DB9 RS232
Data Storage	
RAM [GB]	4 or higher
Mass Storage	
Type	SSD
Size [GB]	100
Size, Weight, Dimensions	
Appliance weight [kg]	1,0
Carton weight with appliance [kg]	N/A
Appliance size: width x depth x height [mm]	78 x 127x 146
Carton size: width x depth x height [mm]	N/A
Form factor	Compact, DIN rail mount
Hardware	
Cooling	No fan
Environmental	
Noise emission [db/A]	n/a
Operating temperature [°C]	-40 to +75
Storage temperature [°C]	-40 to +85
Operating humidity (non-condensing)	5% to 95%
Magnetic Isolation Protection	1,5 KV built-in
Certifications & Compliance	
CE emissions	Yes
CE electrical safety	Yes
FCC emissions	Yes

ROHS compliant	Yes
Power & Efficiency	
Power supply	Dual, external
Power supply type	External
External power supply is not included in delivery of the appliance and needs to be ordered individually.	
Power connector	Phoenix contact 6-pin connector w/ lock
Power type [AC/DC]	DC
Input rating [Volts]	12 - 36
Wattage / max. power draw [W]	60
Max. power draw (@ 24Vdc) [A]	2
Max. heat dissipation [W]	60
IP Code	<ul style="list-style-type: none"> • IP30 - With a 6-pin phoenix connector used. • IP20 - With a 2-pin phoenix connector used.

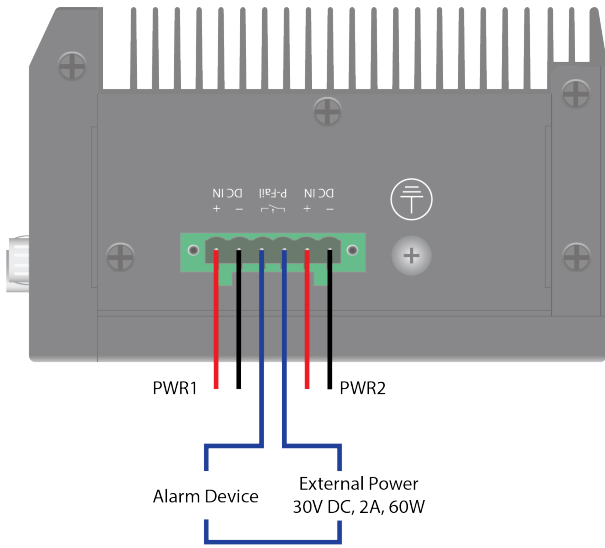
The hardware specifications list was valid at the time this manual was published. The listed components are subject to change at any time, as Barracuda Networks may change hardware components due to technological advancements. Therefore, the list may not reflect the current hardware configuration of the Barracuda appliance it was delivered with.

Dual Power Supply Connector and P-Fail relay (6-PIN connector)

F183R appliances are equipped with a 6-pin connector, for connecting two external power supplies and an alarm device in case of failure. The appliance can run with one or two external power supplies.

As F183R comes with dual power and P-fail relay features, the P-Fail relay will have the signaling device triggered as the power supply fails. The relay circuit is set to be open by default and closed when either or neither of the powers is detected; the closed (or short) circuit then allows the alarm device to be activated. Please note that the alarm device needs its own power circuit.

PWR1	PWR2	Circuit Status	Alarm Device
Detected	Detected	Open (Normal)	Off
Not Detected	Detected	Closed	Activated
Detected	Not Detected	Closed	Activated
Not Detected	Not Detected	Closed	Activated



LEDs and Acoustic Signals

Your appliance is equipped with a variety of LEDs and acoustic signals. The front panel contains one power LED (green), one status LED (green/red), one disc LED (yellow), and various port LEDs. Two acoustic signals indicate appliance boots up or installation was completed.

The Status LED is labeled either with a heartbeat symbol or the term 'Status'. It indicates the appliance’s operational state by changing colors between green and red and by changing between blinking and steady glowing. The tables below show the different meanings of the different glowing states and acoustic signals:

LED Color	Status	Meaning Installation	Meaning Operation
All LEDs Off	Off	Appliance is powered off or installation has not initialized far enough for LED control when installation is started.	Appliance is powered off.
Power LED front side - GREEN	Steady	-	Appliance is plugged in and is on.
Status LED front side - GREEN/RED	Off	Installation has not initialized far enough for LED control when installation is started.	-
Status LED front side - GREEN	Steady	After a hotfix installation, the LED turns to green until the next reboot in case the hotfix installation was successful. This feature requires firmware 7.1.3 or higher OR 7.2.2 or higher.	Box is running normally, or installation has finished successfully.

Status LED front side - GREEN	Blinking slowly (1/s interval)	Normal installation	Appliance is either booting, shutting down, or performing a system update.
Status LED front side - RED	Steady	After a hotfix installation, the LED turns to red until the next reboot in case the hotfix installation failed. This feature requires firmware 7.1.3 or higher OR 7.2.2 or higher.	Appliance is halted and may be disconnected, or an error occurred preventing the appliance from entering the up state.
Disc LED - YELLOW	Blinking	Appliance is reading or writing on storage.	Appliance is accessing the internal storage.
Port LEDs - GREEN/YELLOW	Left blinking	Data transfer - Yellow (10/100 Mbps)	Port in use.
	Right steady	-	Port is on.
Port LEDs 6 and 7 for Optical Fiber ports - GREEN	Steady	-	Port is on.
	Blinking	Data transfer	Port is in use.
PSU LEDs - GREEN	Steady	PSU modules connected and running	Power supply unit is up and running.
	Off	Power defective, standby, or shutdown	Power supply unit is off or in standby mode.
Acoustic Signal	Frequency	Meaning	
Beep	1 time (1sec.)	The appliance is booting.	
Beep/Jingle	3 times (1sec.-1sec.-1sec.)	Installation was completed successfully. The appliance is halted for a reboot. After reboot, one beep will again indicate booting.	

LED and acoustic signals may vary between different appliance models.

Serial Console Port

In order to establish a console connection to the appliance using an RS232 serial cable, you need to configure the serial port on the terminal using the following parameters:

Parameter	Value
Baud	19200
Bits	8

Stop bit	1
Parity	None
Handshake	None

Figures

1. F183_R.PNG
2. F183R-S.png
3. F183R-L.png
4. F183R-B.png
5. F183T.png
6. P-Fail.png

© Barracuda Networks Inc., 2020 The information contained within this document is confidential and proprietary to Barracuda Networks Inc. No portion of this document may be copied, distributed, publicized or used for other than internal documentary purposes without the written consent of an official representative of Barracuda Networks Inc. All specifications are subject to change without notice. Barracuda Networks Inc. assumes no responsibility for any inaccuracies in this document. Barracuda Networks Inc. reserves the right to change, modify, transfer, or otherwise revise this publication without notice.