

## 1U Chassis Rack (Two Screw) Mounting Instructions

<https://campus.barracuda.com/doc/73699519/>

This article refers to rack mountable 1U Barracuda chassis with provided rails; for a complete list of appliances by model, see [Rack Installation of Barracuda Appliances](#).

Rack assembly differs depending on the model of rack unit in your environment. Before rack mounting the appliance, review the installation instructions that accompany your rack unit for detailed rack setup instructions.

### Before Getting Started

Before getting started, verify you have the following:

- Cage nuts and screws to attach the appliance to your rack (not provided by Barracuda) if using the optional toothless installation;
- Rail kit included with your appliance, including the hardware to assemble the rails;
- Rack unit is set up in a restricted access location, for example, dedicated equipment rooms, service closets, and other secure, clean, dust-free well ventilated environments;
- There is enough clearance in front of the rack to allow the front door to open completely (~25 inches);
- There is approximately 30 inches of clearance is available in the back of the rack to allow for sufficient airflow and ease of servicing;
- The area does not generate heat, electrical noise, or electromagnetic fields;
- A grounded power outlet is available.

- Ensure the leveling jacks on the bottom of the rack are fully extended to the floor with the full weight of the rack resting on them.
- In a single rack installation, stabilizers should be attached to the rack.
- In multiple rack installations, the racks should be coupled together.
- Verify the rack is stable before extending a component from the rack.
- Extend only one component at a time; extending two or more simultaneously may cause the rack to become unstable.

Review the electrical and general safety precautions that came with the components you are adding to the chassis. Determine the placement of each component in the rack before you install the rails. Install the heaviest appliance components on the bottom of the rack first, and then work upwards.

Use a regulating uninterruptible power supply (UPS) to protect the appliance from power

surges, voltage spikes, and to keep your system operating in case of a power failure. Allow the hot plug hard drives and power supply modules to cool before touching them. Always keep the rack's front door and all panels and components on the appliances closed when not servicing to maintain proper cooling.

- **Ambient Operating Temperature** – If installed in a closed or multi-unit rack assembly, the ambient operating temperature of the rack environment may be greater than the ambient temperature of the room. Therefore, consideration should be given to installing the equipment in an environment compatible with the manufacturer's maximum rated ambient temperature (T<sub>mra</sub>).
- **Proper Airflow and Mechanical Loading** – Mount equipment into a rack so that the amount of airflow required for safe operation is not compromised and to prevent any hazardous condition that can arise due to uneven mechanical loading.
- **Circuit Overloading** – Consideration should be given to the connection of the equipment to the power supply circuitry and the effect that any possible overloading of circuits might have on overcurrent protection and power supply wiring. Appropriate consideration of equipment nameplate ratings should be used when addressing these concerns.
- **Reliable Ground** – To ensure a reliable ground at all times, the rack itself should be grounded. Particular attention should be given to power supply connections other than the direct connections to the branch circuit (i.e. the use of power strips, etc.).

## Before Getting Started

Inspect the shipping box and note if there is any damage. If the chassis itself shows any damage, file a damage claim with the carrier who delivered your Barracuda appliance.

Refer to the installation instructions that came with the rack unit you are using for detailed instructions; these rails fit a rack between 25.5" and 33.25" deep.

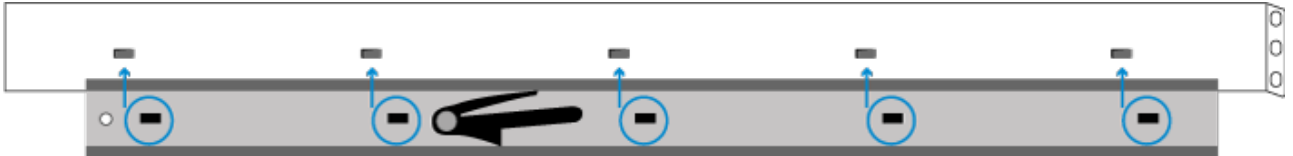
The rail kit includes:

- One pair of inner slides to attach to chassis;
- One pair of outer slides to install in rack;
- Two pair short brackets to be used on the front side of the outer slides;
- One pair of screws.

## Install Inner Slides

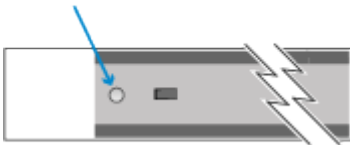
Use the following steps to install the inner slides:

1. Locate the right inner slide, and align the five holes on the right inner slide against the five hooks on the right side of the chassis:



2. Once the inner slides are on the hooks, slide the inner slide forward until the inner slide locks in place and screw hole is visible:

Screw hole



3. Securely attach the slide to the chassis with a flat head screw:

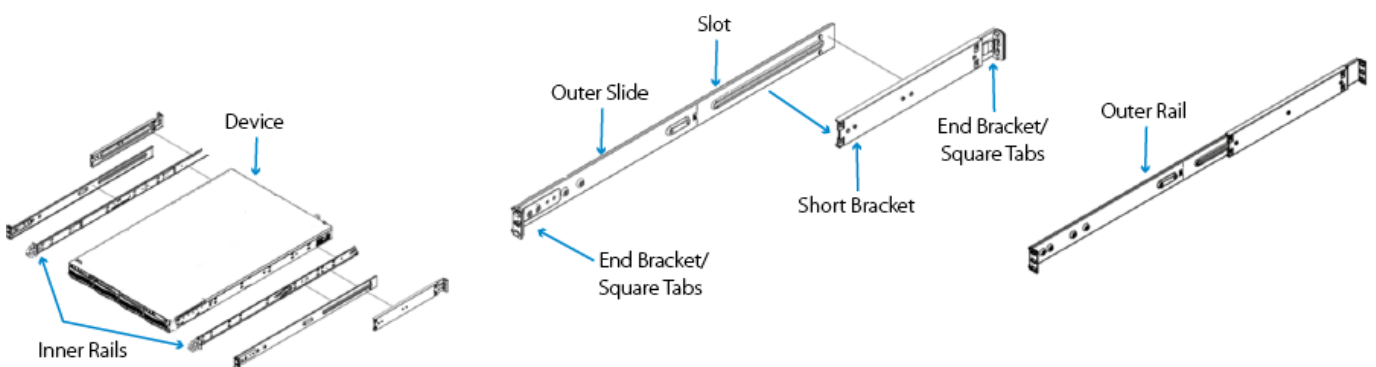
Flat Head Screw



4. Locate the left inner slide, and align the five holes on the right inner slide against the five hooks on the left side of the chassis.
5. Once the inner slides are on the hooks, slide the inner slide forward until the inner slide locks in place and screw hole is visible.
6. Securely attach the slide to the chassis with a flat head screw.

## Install Outer Slides

**Figure 1. Install the Outer Slides.**



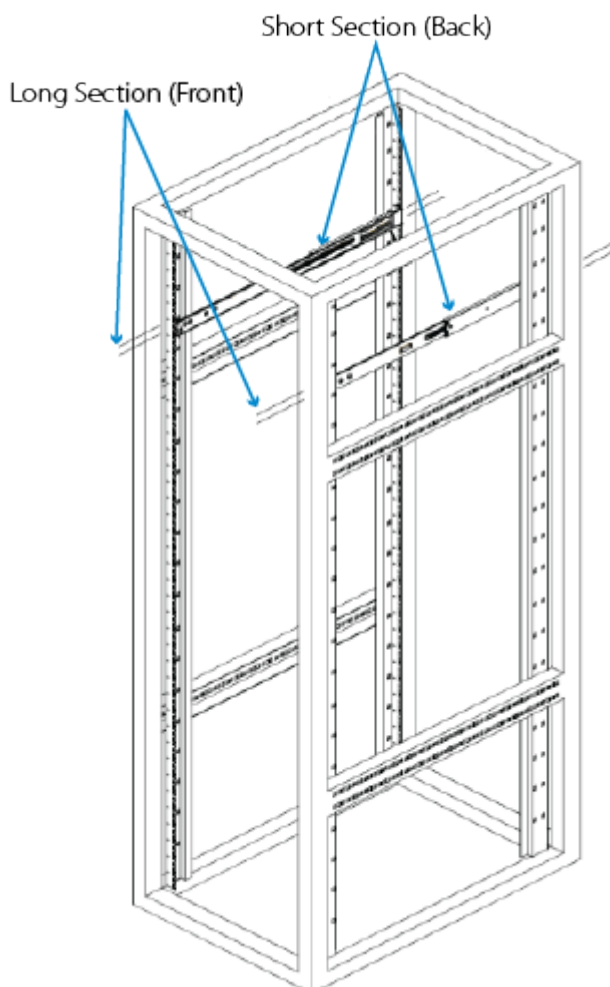
Use the following steps to install the outer slides, based on Figure 1:

1. Attach the short bracket to the rear side of the right outer slide, and along the bracket to the front side of the right short bracket slide.
2. Adjust the short and long brackets to the desired length so that the chassis can fit into the rack.
3. Attach the short bracket to the rear side of the left outer slide, and along the bracket to the front side of the left short bracket slide.
4. Adjust the short and long brackets to the desired length so that the chassis can fit into the rack.

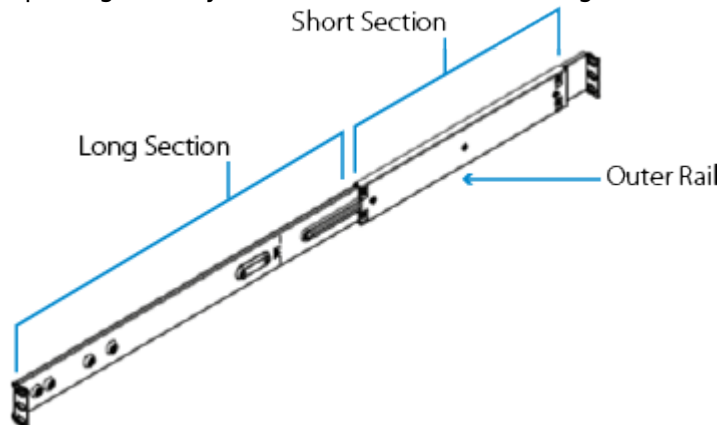
## Install Slide Assemblies

Each of the outer rails consists of two sections. When assembled, the long section is attached to the front rack post and the short section is attached to the rear rack post.

**Figure 2. Install Slide Assemblies.**



1. Assemble the long section to the short section, aligning the pins with the corresponding slotted openings; verify the end brackets are facing the same direction:



2. Locate the short section against the rear post of the rack so that the two square tabs align with the corresponding square holes in the post. Apply pressure to snap and lock the rail to the rear post.
3. Adjust the overall length of the assembled outer rails so that the rail fits snugly, and is level, within the rack.
4. Locate the long section against the front post of the rack so that the two square tabs are aligned with the corresponding square holes in the post. Apply pressure to snap and lock the rail to the front post; no additional screws needed.
5. Repeat steps 2 through 4 for the other outer rail.

### **Toothless Installation (Optional)**

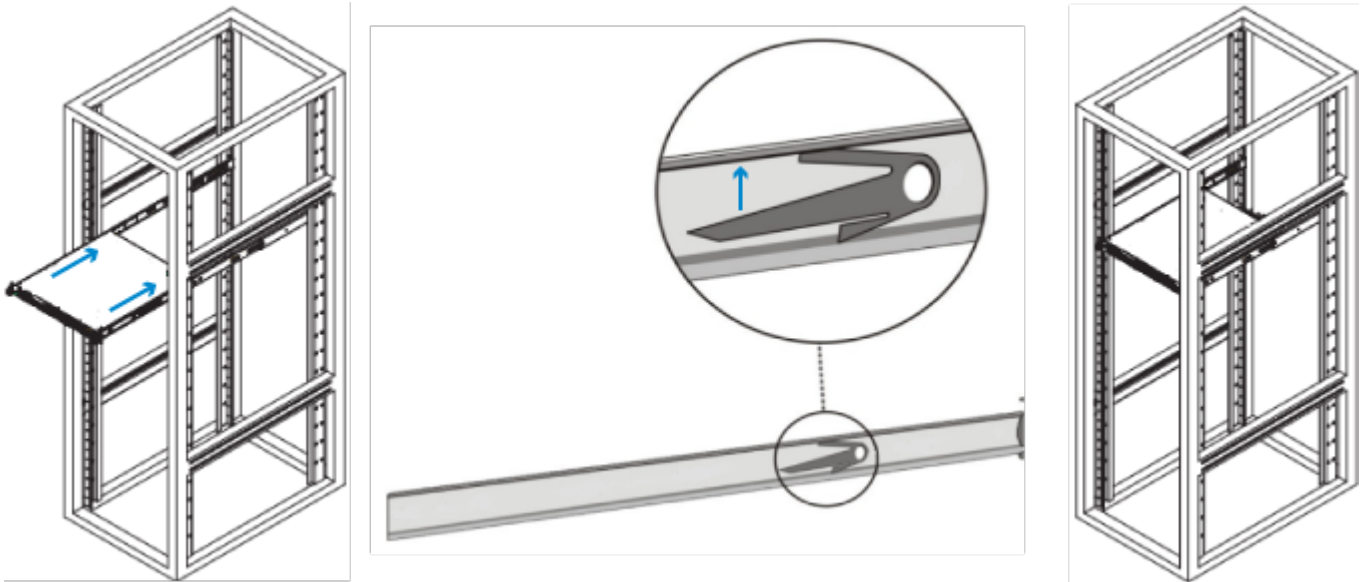
To complete the toothless installation, you will need cage nuts and screws (not included with the rack mount installation).

Optionally, you can install the rails using screws.

1. Remove the screws on the front, and remove the screws from the back.
2. Remove the teeth; the bracket is now ready for the toothless installation.
3. Securely install the cage nuts to the rack.
4. Align the holes on the front of the outer rail, with the holes on the front of the rack, and secure with screws.

### **Install Chassis into Rack**

Use the following steps to install the chassis into the rack, as shown in Figure 3.

**Figure 3. Install Chassis into Rack.**

1. Confirm the chassis inner rails and inner rail extensions are properly installed, and confirm outer rails are installed on rack and locked in place.
2. Align the chassis inner rails with the front of the outer rails on the rack.
3. Slide the chassis rails into the rack rails slowly, keeping the pressure even on both sides, depressing the locking tabs when inserting. When the server is pushed completely into the rack, the locking tabs should click into position.

For detailed configuration steps, refer to the Getting Started section for the rack mounted appliance.

## Figures

1. AlignHoles.png
2. SlideOntoHooks.png
3. SecureWithScrew.png
4. 1U\_Install\_Outer\_Rails.png
5. InstallSlideAssemblies.png
6. Outer\_Rails.png
7. InstallIntoRack.png

© Barracuda Networks Inc., 2019 The information contained within this document is confidential and proprietary to Barracuda Networks Inc. No portion of this document may be copied, distributed, publicized or used for other than internal documentary purposes without the written consent of an official representative of Barracuda Networks Inc. All specifications are subject to change without notice. Barracuda Networks Inc. assumes no responsibility for any inaccuracies in this document. Barracuda Networks Inc. reserves the right to change, modify, transfer, or otherwise revise this publication without notice.